

# CSAHT v3

Intelligent Rapid Charger

---

## Quick Start User Guide



---

## Contact

For more information about our products please contact us:

📞 +44 (0)20 8236 0032    ✉️ [info@entel.co.uk](mailto:info@entel.co.uk)    🖥️ [entel.co.uk](http://entel.co.uk)

# CSAHT v3

Thank you for purchasing the CSAHT Rapid charger. This product should reach you in perfect condition. Should you notice any defects or experience any problems with this product, please contact the dealer you purchased it from immediately.

## FEATURES

- The CSAHT charger can be used to recharge Entel's lithium-Ion battery packs.
- Free range power supply facilitates AC voltages in the range 100V to 240V.
- The time required to recharge a fully discharged CNB Series battery pack is approximately 3 hours.
- When charging is complete the CSAHT automatically switches to standby.
- This charger has been designed to sit on a flat surface or be wall/ bulkhead mounted for your convenience.

## OPERATING INSTRUCTIONS

1. Connect the Entel adapter (CWC series) to the CSAHT charger pod.
2. Plug the AC power main plug of the adapter into the wall outlet.
3. If attached to the battery, ensure the radio is switched off.
4. Insert the battery pack into the charging pod, either with or without the radio attached. The charger pod's LED illuminates red to indicate that the battery is charging.
5. When charging is complete the LED will illuminate green.

### NOTE

**If the LED on your CSAHT flashes amber/red this indicates that there is a fault with the battery pack.**

Switch off at the mains socket and unplug, then remove the battery from the charger and contact your Entel Dealer.

## SPECIFICATIONS

### MAINS ADAPTER (CWC SERIES)

Input Voltage 100-240VAC 50Hz/60Hz

Output Voltage 12VDC 1000mA

Weight 80g

Adapter Type CWCEA – 2 Pin (Australia)  
 CWCED – 2 Pin (Europe)  
 CWCEE – 3 Pin (UK)  
 CWCES – 2 Pin (US)

### CSAHT CHARGING POD

Input Voltage 11.5-14.4VDC 1000mA

Output Voltage 8.7VDC 900mA

Dimensions (H)75mm x (W)84mm x (D)80mm

Weight 120g

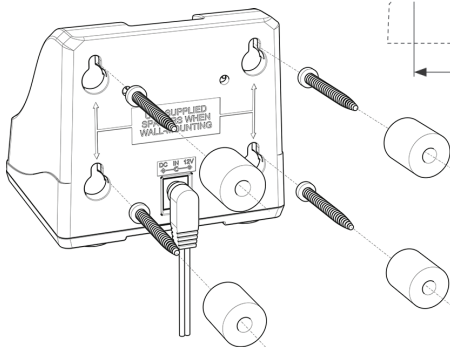
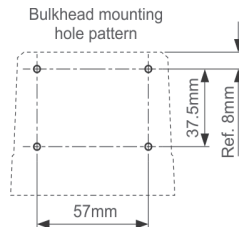
Battery Compatibility CNB750E, CNB751E, CNB550E, CNB950E

Operational Temperature Range - 20°C to +55°C

## BULKHEAD MOUNTING

For your convenience the CSAHT rapid charger can be seated on its base, or bulkhead mounted.

A bulkhead screw and spacer kit is available separately (Part Number ASPACKCAHV3).



## PRECAUTIONS

- The CSAHT charger is designed exclusively for use with Entel lithium-ion battery packs. Do not use it to charge any other type of battery pack.
- Do not use CSAHT with any other adapter other than CWC series.
- The Entel adapter is designed for use with an AC power supply voltage between 100V and 240V. Do not connect it to a power source outside this range.
- Never charge the transceiver whilst it is switched on.
- Unplug the adapter from the mains when it is not in use.
- Do not dismantle the CSAHT or the CWC adapter.
- Never insert any metal or other conductive objects into the charger.
- Do not touch the charger terminals.
- Never short the charge contacts with metal or any other conductive object.
- The CSAHT must only be stored /used in a well ventilated, dry area.

### NOTE

**In the event that your CSAHT or CWC adapter gets wet, do not connect to the mains or switch on. Consult your dealer immediately.**